

Tymbia

Handling & Warehouse Equipment



4x2
4x4

**ROUGH TERRAIN
FORKLIFT TRUCK**



EFFICIENT/POWERFUL

N Series 2WD & 4WD Rough Terrain Forklift

Capacity 2,500 to 3,500kg

Our newly designed 2WD & 4WD rough terrain forklifts with compact design and powerful off-road capability make them ideal for most of the tough applications. Such as construction, forestry, mining, agriculture and other industries with different ground conditions and weather conditions. With mature and reliable transmission and axle technology, our rough terrain allows customers to handle the loads with precision, safety and greater comfort. And it will definitely increase your productivity and become your reliable partner in tough job.



PRODUCTIVITY & MANEUVERABILITY



High Ground Clearance

2WD-High ground clearance up to 270mm.
4WD-High ground clearance up to 300mm.



Stage V / Tire4F Engine

Several durable and powerful engines are available for it, including the Euro & US market.



Differential lock

2WD-RTF has 100% differential lock.
4WD-RTF has 45% differential lock in both front and rear axle, so it could work well in slippery or muddy area.



Strong Gradeability

The Gradeability of 4WD is up to 60%, which makes it easy to work on big slopes.



2WD/4WD Switch

The 4WD mode is particularly suitable for tough area, and it can be switched to 2WD mode if 4WD is unnecessary, which saves energy and extends the life of the transmission.



Special Tires

Large size deep pattern off-road vacuum tire with excellent off-road capability and shock absorption performance.

COMFORT & ERGONOMICS



Super Visibility

Wide view mast ensures super visibility.



Rear hand rail with horn

Forklifts often reverse at work, this rear hand rail with horn will make reversing safer.



Suspension OHG

Tough and suspension OHG protect the operator and reduce the vibration.



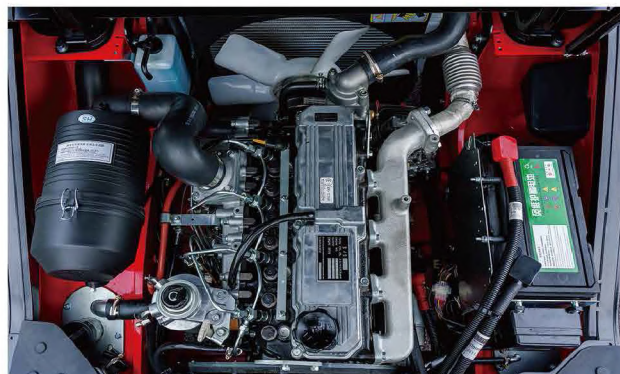
Large Steering Angle

The large steering angle (small turning radius) and compact structure design make the forklift could work well even in space restricted area.



Ergonomics Operation

The adjustable seat and steering wheel, as well as the ergonomic operating lever, are designed for comfortable operation.



Easy Maintenance

Nearly 90-degree engine hood makes daily maintenance easier, all parts can be reached quickly.

4WD ROUGH TERRAIN FORKLIFT MAIN SPECIFICATIONS

		Tymbia													
General	1	Manufacturer	Tymbia												
	2	Model	FD25T-DNJM1	FD30T-DNJM1	FD35T-DNJM1	FD25T-DNJE1	FD30T-DNJE1	FD35T-DNJE1	FD25T-DNJS1	FD30T-DNJS1	FD35T-DNJS1				
	3	Power Type	Diesel												
	4	Rated Load Capacity	Q(kg)	2500	3000	3500	2500	3000	3500	2500	3000	3500			
	5	Load Centre	C(mm)	500											
Characteristic & Dimension	6	Rated Lift Height	H3(mm)	3000											
	7	Free Lift Height	H2(mm)	160	165	160	165	160	165	160	165				
	8	Fork Size (LxWxT)	mm	1070x122x45	1070x125x50	1070x122x45	1070x125x50	1070x122x45	1070x125x50	1070x122x45	1070x125x50				
	9	Mast Tilt Angle (F/R, α/β°)	deg	10°/12°											
	10	Fork Overhang (Wheel Center to Fork Face)	X1(mm)	585	605	585	605	585	605	585	605				
	11	Rear Overhang	X2(mm)	615											
	12	Ground Clearance (Bottom of Mast)	H7(mm)	275											
	13	Length to Face of Fork (Without Fork)	L1(mm)	3080	3100	3080	3100	3080	3100	3080	3100				
	14	Overall Width	B1(mm)	1600											
	15	Mast Lowered Height	H1(mm)	2215	2330	2215	2330	2215	2330	2215	2330				
	16	Mast Extended Height (With Backrest)	H4(mm)	4122	4305	4122	4305	4122	4305	4122	4305				
	17	Overhead Guard Height	H5(mm)	2256	2276	2256	2276	2256	2276	2256	2276				
	18	Turning Radius (Outside)	Wa(mm)	3150											
	19	Min Aisle width for pallets	Ast(mm)	4735	4750	4735	4750	4735	4750	4735	4750				
Performance	20	Travel Speed (Laden/Unladen)	km/h	17/18											
	21	Lifting Speed (Laden/Unladen)	mm/sec	560/600	520/560	470/500	600/650	530/560	480/510	600/650	530/560	480/510			
	22	Lowering Speed (Laden/Unladen)	mm/sec	No Load ≥ 300 Full Load ≤ 600											
	23	Max.Drawbar Pull (Laden)	KN	38											
Chassis	24	Max.Gradeability (Laden)	%	50	45	50	45	50	45	50	45				
	25	Tyre (Front x 2)	mm	12-16.5-12PR	14-17.5-14PR	12-16.5-12PR	14-17.5-14PR	12-16.5-12PR	14-17.5-14PR	12-16.5-12PR	14-17.5-14PR				
	26	Tyre (Rear x 2)	mm	10.0/75-15.3											
	27	Front Tread	B2(mm)	1250											
	28	Rear Tread	B3(mm)	1190											
Weight	29	Wheelbase	Y(mm)	1880											
	30	Total Weight	kg	4820	5300	5450	4820	5300	5450	4820	5300	5450			
	31	Front Axle Weight Distribution (Full Load)	kg	6592	7265	7764	6592	7265	7764	6592	7265	7764			
	32	Rear Axle Weight Distribution (Full Load)	kg	728	1035	1186	728	1035	1186	728	1035	1186			
	33	Front Axle Weight Distribution (No Load)	kg	2165	2390	2430	2165	2390	2430	2165	2390	2430			
	34	Rear Axle Weight Distribution (No Load)	kg	2655	2910	3020	2655	2910	3020	2655	2910	3020			
Power & Transmission	35	Battery	V/Ah	12/90											
	36	Engine Model		S4S					4TNE08			D24(EU Stage V)			
	37	Engine Manufacturer		MITSUBISHI					YANMAR			DOOSAN			
	38	Rated Output / r.p.m.	kw	35.3/2250					43/2300			48.2/2600			
	39	Rated Torque / r.p.m.	N·m	177/1700					177.6-196.3/1700			214/1600			
	40	No.of Cylinder		4											
	41	Bore x Stroke	mm	94x120					98x110			90x94			
	42	Displacement	cc	3.331					3.319			2.392			
	43	Fuel Tank Capacity	L	55											
	44	Transmission Type		HYDRAULIC											
	45	Transmission Stage (FWD/RVS)		2/1											
	46	Operating Pressure (For Attachments)	Mpa	20											

Specifications and characteristics are subject to change without notice.

MAST SPECIFICATIONS & RATED CAPACITIES

Mast Type	Mast Name	Max. Fork Height (mm)	Load Capacity (kg)		Overall Height (mm)								Free Lift (mm)				Tilt Angle (Single)	Weight(Kg)		
					Lowered		Extended				Without Backrest		With Bracket							
					2.5T	3.5T	2.5T	3.5T	2.5T	3.5T	2.5T	3.5T	2.5T	3.5T	2.5T	3.5T				
Wide View Mast	M300	3000	2500	3500	2235	2330	3675	3840	4130	4320	105	165	105	165	10°/12°	4820	5300	5450		
	M330	3300	2500	3500	2385	2480	3975	4140	4430	4620	105	165	105	165	10°/12°	4850	5330	5480		
	M350	3500	2500	3500	2485	2580	4175	4340	4630	4820	105	165	105	165	10°/12°	4870	5350	5500		
	M370	3700	2500	3500	2585	2680	4375	4540	4830	5020	105	165	105	165	10°/12°	4880	5360	5510		
	M400	4000	2500	3400	2785	2880	4675	4840	5130	5320	105	165	105	165	10°/12°	4920	5400	5550		
	M450	4500	2200	3100	3035	3130	5175	5340	5630	5820	105	165	105	165	10°/12°	5015	5495	5645		
3-Stage Full Free Wide View Mast	TFM400	4000	2500	3400	2080	2210	4767	4845	5222	5232	1345	1394	890	1010	10°/12°	5095	5575	5725		
	TFM435	4350	2400	3000	2205	2335	5115	5205	5570	5590	1470	1519	1015	1135	10°/12°	5135	5615	5765		
	TFM470	4700	2100	2800	2320	2450	5455	5545	5910	5930	1585	1634	1130	1250	10°/12°	5170	5650	5800		
	TFM500	5000	1900	2600	2455	2585	5765	5855	6220	6240	1720	1769	1265	1385	6°/6°	5205	5685	5835		
	TFM550	5500	1600	2300	2620	2750	6265	6350	6720	6735	1885	1934	1430	1550	6°/6°	5250	5730	5880		
	TFM600	6000	1200	1900	2805	2935	6765	6855	7220	7240	2070	2119	1615	1735	6°/6°	5305	5785	5935		

NOTE: With side shifter, load capacity subtract 200Kg.

2WD ROUGH TERRAIN FORKLIFT MAIN SPECIFICATIONS

		Tymbia													
		FD25T-CNJM1	FD30T-CNJM1	FD35T-CNJM1	FD25T-CNGA7	FD30T-CNGA7	FD35T-CNGA7	FD25T-CNJE1	FD30T-CNJE1	FD35T-CNJE1	FD25T-CNJS1	FD30T-CNJS1	FD35T-CNJS1		
General	3 Power Type	Diesel													
	4 Rated Load Capacity	Q(kg)	2500	3000	3500	2500	3000	3500	2500	3000	3500	2500	3000	3500	
Characteristic & Dimension	5 Load Centre	C(mm)	500												
	6 Rated Lift Height	H3(mm)	3000												
	7 Free Lift Height	H2(mm)	160	165	160	165	160	165	160	165	160	165	160	165	
	8 Fork Size (L*W*T)	mm	1070*122*45	1070*125*50	1070*122*45	1070*125*50	1070*122*45	1070*125*50	1070*122*45	1070*125*50	1070*122*45	1070*125*50	1070*122*45	1070*125*50	
	9 Mast Tilt Angle (F.R. α°/β°)	deg	10°/12°												
	10 Fork Overhang (Wheel Center to Fork Face)	X1(mm)	585	605	585	605	585	605	585	605	585	605	585	605	
	11 Rear Overhang	X2(mm)	520												
	12 Ground Clearance (Bottom of Mast)	H7(mm)	275												
	13 Length to Face of Fork (Without Fork)	L1(mm)	2985	3005	2985	3005	2985	3005	2985	3005	2985	3005	2985	3005	
	14 Overall Width	B1(mm)	1600												
	15 Mast Lowered Height	H1(mm)	2215	2330	2215	2330	2215	2330	2215	2330	2215	2330	2215	2330	
	16 Mast Extended Height (With Backrest)	H4(mm)	4122	4305	4122	4305	4122	4305	4122	4305	4122	4305	4122	4305	
	17 Overhead Guard Height	H5(mm)	2256	2276	2256	2276	2256	2276	2256	2276	2256	2276	2256	2276	
	18 Turning Radius (Outside)	Wa(mm)	2900												
	19 Min.Aisle width for pallets	Aa(mm)	4730												
	Performance	20 Travel Speed (Laden/Unladen)	km/h	17/18											
		21 Lifting Speed (Laden/Unladen)	mm/sec	560/600	450/540	560/600	450/540	560/600	450/540	560/600	450/540	560/600	450/540	560/600	450/540
		22 Lowering Speed (Laden/Unladen)	mm/sec	No Load 300 Full Load 600											
		23 Max.Drawbar Pull (Laden/Unladen)	KN	21/17											
24 Max.Gradeability (Laden)		%	20												
Chassis	25 Tyre (Front x 2)	mm	12-16.5-12PR	14-17.5-14PR	12-16.5-12PR	14-17.5-14PR	12-16.5-12PR	14-17.5-14PR	12-16.5-12PR	14-17.5-14PR	12-16.5-12PR	14-17.5-14PR	12-16.5-12PR	14-17.5-14PR	
	26 Tyre (Rear x 2)	mm	10.0/75-15.3												
	27 Front Tread	B2(mm)	1250												
	28 Rear Tread	B3(mm)	1205												
	29 Wheelbase	Y(mm)	1880												
Weight	30 Total Weight	kg	4215	4845	5135	4215	4845	5135	4215	4845	5135	4215	4845	5135	
	31 Front Axle Weight Distribution (Full Load)	kg	5780	6880	7680	5780	6880	7680	5780	6880	7680	5780	6880	7680	
	32 Rear Axle Weight Distribution (Full Load)	kg	935	965	955	935	965	955	935	965	955	935	965	955	
	33 Front Axle Weight Distribution (No Load)	kg	1820	1990	2110	1820	1990	2110	1820	1990	2110	1820	1990	2110	
	34 Rear Axle Weight Distribution (No Load)	kg	2395	2855	3025	2395	2855	3025	2395	2855	3025	2395	2855	3025	
Power & Transmission	35 Battery	V/Ah	12/90												
	36 Engine Model		S4S			A498BPG			4TNE98			D24(EU Stage V)			
	37 Engine Manufacturer		MITSUBISHI			XINCHAI			YANMAR			DOOSAN			
	38 Rated Output / r.p.m.	kw	35.3/2250			45/2500			43/2300			48.2/2600			
	39 Rated Torque / r.p.m.	N.m	177/1700			193/1800			177.6-196.3/1700			214/1600			
	40 No. of Cylinder		4												
	41 Bore x Stroke	mm	94x120			96x105			98x110			90x94			
	42 Displacement	cc	3.331			3.168			3.319			2.392			
	43 Fuel Tank Capacity	L	55												
	44 Transmission Type		HYDRAULIC												
	45 Transmission Stage (FWD/RVS)		1/1												
	46 Operating Pressure (For Attachments)	Mpa	20												

Specifications and characteristics are subject to change without notice.

MAST SPECIFICATIONS & RATED CAPACITIES

Mast Type	Mast Name	Max. Fork Height (mm)	Load Capacity (kg)		Overall Height (mm)				Free Lift (mm)				Tilt Angle (Single)	Weight(Kg)				
					Lowered		Extended		Without Backrest		With Bracket							
					2.5T	3.5T	2.5T	3.5T	2.5T	3.5T	2.5T	3.5T						
Wide View Mast	M300	3000	2500	3500	2235	2330	3675	3840	4130	4320	105	165	105	165	10°/12°	4350	4845	5135
	M330	3300	2500	3500	2385	2480	3675	4140	4430	4620	105	165	105	165	10°/12°	4380	4875	5165
	M350	3500	2500	3500	2485	2580	4175	4340	4630	4820	105	165	105	165	10°/12°	4400	4895	5185
	M370	3700	2500	3500	2585	2680	4375	4540	4830	5020	105	165	105	165	10°/12°	4410	4905	5195
	M400	4000	2500	3400	2785	2880	4675	4840	5130	5320	105	165	105	165	10°/12°	4450	4945	5235
3-Stage Full Free Wide View Mast	M450	4500	2200	3100	3035	3130	5175	5340	5630	5820	105	165	105	165	10°/12°	4545	5040	5330
	TFM400	4000	2500	3400	2080	2210	4767	4845	5222	5232	1345	1394	890	1010	10°/12°	4575	5070	5360
	TFM435	4350	2400	3000	2205	2335	5115	5205	5570	5590	1470	1519	1015	1135	10°/12°	4615	5110	5400
	TFM470	4700	2100	2800	2320	2450	5455	5545	5910	5930	1585	1634	1130	1250	10°/12°	4650	5145	5435
	TFM500	5000	1900	2600	2455	2585	5765	5855	6220	6240	1720	1769	1265	1385	6°/6°	4685	5180	5470
	TFM550	5500	1500	2300	2620	2750	6265	6350	6720	6735	1885	1934	1430	1550	6°/6°	4730	5225	5515
TFM600	6000	1200	1900	2805	2935	6765	6855	7220	7240	2070	2119	1615	1735	6°/6°	4785	5280	5570	

NOTE: With side shifter, load capacity subtract 200Kg.

XINCHAI

Model: A498BPG
 Rated output: 45KW/2500RPM
 Rated torque: 193N.M/1600-1900RPM
 No. of cylinder: 4
 Displacement: 3.168L

MITSUBISHI

Model: S4S
 Rated output: 35.3KW/2250RPM
 Rated torque: 177N.M/1700RPM
 No. of cylinder: 4
 Displacement: 3.331L

KUBOTA

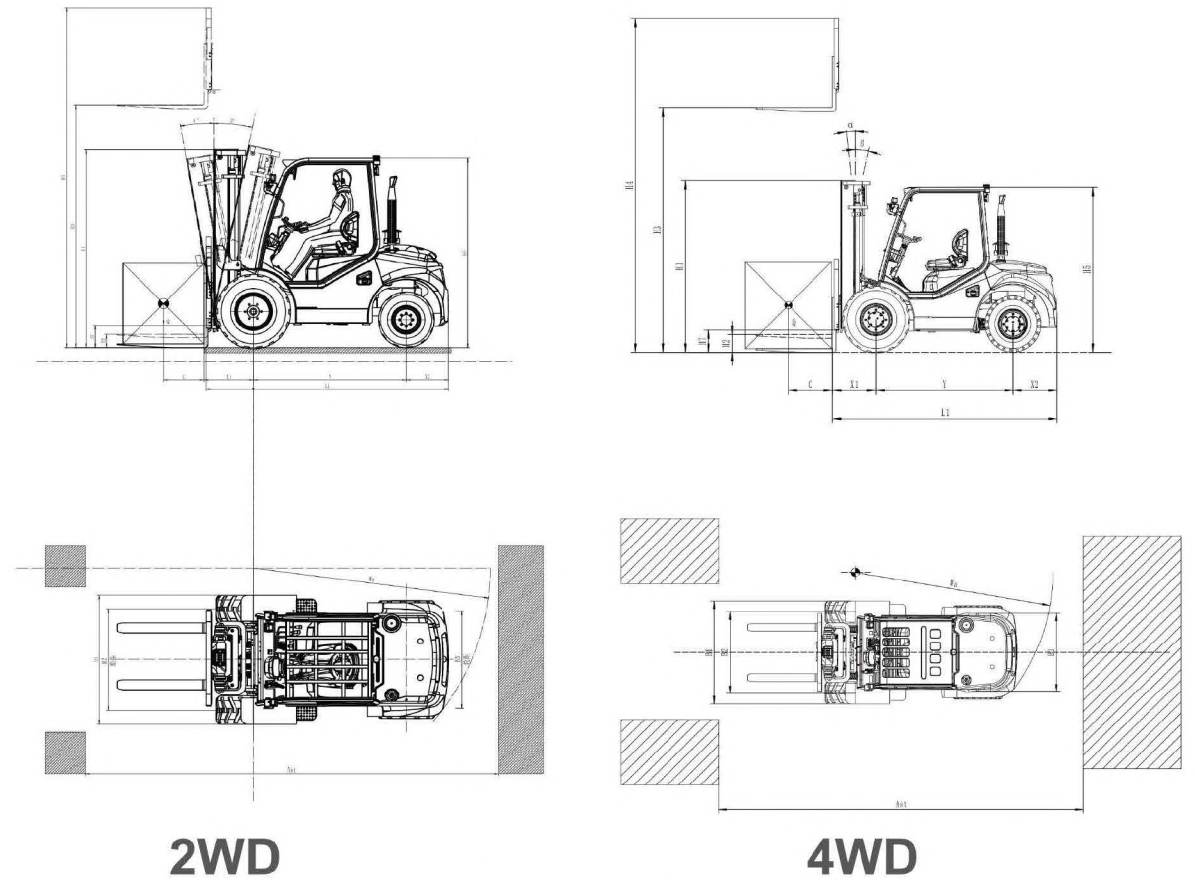
Model: V2403-CR-TE5 Stage V/ Tier4F
 Rated output: 48.6165.1JKW/2700RPM
 Rated torque: 198.5N.M/1600RPM
 No. of cylinder: 4
 Displacement: 2.434L

YANMAR

Model: 4TNE98
 Rated output 42.1KW/2300RPM
 Rated torque: 186-206N. M/1700RPM
 No. of cylinder: 4
 Bore x Stroke: 98x110mm
 Displacement: 3.318L

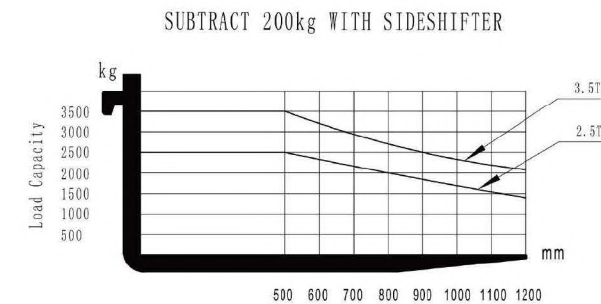
DOOSAN

Model: D24(DM02VB Stage V/ Tier4F)
 Rated output: 48.2KW/2600RPM
 Rated torque: 214N.M/1600RPM
 Rated torque: 4
 Bore x Stroke: 90x94MM
 Displacement: 2.392L



2WD

4WD



Load Center Load Curve